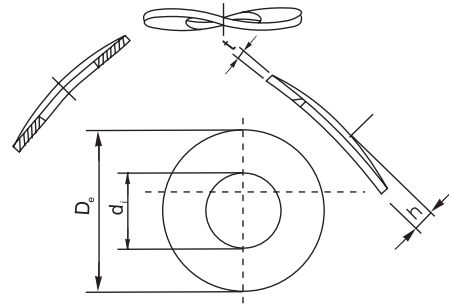


CW Series of Washers

International Springs Curved Washers are made of tempered steel and stainless in some sizes. Curved Washers are made as per DIN 137. Other non-standrad sizes are also available.

Applications : 1. Fasteners 2. Absorbing Vibrations 3. Compensation for Temperature Changes 4. Eliminating Side and End Play 5. Controlling End Pressure.



Dimensions

Plain Finish (Oiled) Part No.	in inches				in mm					Bolt or Screw Size
	D _e	d _i	t	h(min)	D _e	d _i	t	h max	h min	
CW-020102	0.098	0.043	0.008	0.014	2.5	1.1	0.2	0.35	0.7	M 1
CW-030102	0.118	0.051	0.008	0.014	3	1.3	0.2	0.35	0.7	M 1.2
CW-030202	0.118	0.059	0.010	0.016	3	1.5	0.25	0.4	0.8	M 1.4
CW-040102	0.157	0.071	0.010	0.018	4	1.8	0.25	0.45	0.9	M 1.7
CW-040202	0.157	0.075	0.010	0.018	4	1.9	0.25	0.45	0.9	M 1.8
CW-040203	0.177	0.087	0.012	0.020	4.5	2.2	0.3	0.5	1	M 2
CW-050203	0.197	0.098	0.012	0.020	5	2.5	0.3	0.5	1	M 2.3
CW-050303	0.217	0.110	0.012	0.022	5.5	2.8	0.3	0.55	1.1	M 2.6
CW-060304	0.236	0.126	0.016	0.026	6	3.2	0.4	0.65	1.3	M 3
CW-070304	0.276	0.146	0.016	0.028	7	3.7	0.4	0.7	1.4	M 3.5
CW-080405	0.315	0.169	0.020	0.031	8	4.3	0.5	0.8	1.6	M 4
CW-100505	0.394	0.209	0.020	0.035	10	5.3	0.5	0.9	1.8	M 5
CW-110605	0.433	0.252	0.020	0.043	11	6.4	0.5	1.1	2.2	M 6
CW-120705	0.472	0.291	0.020	0.047	12	7.4	0.5	1.2	2.4	M 7
CW-150805	0.591	0.331	0.020	0.067	15	8.4	0.5	1.7	3.4	M 8
CW-181008	0.709	0.431	0.031	0.079	18	10.5	0.8	2	4	M 10